

CCTV NETWORK EXTENDERS



Nitek Europe B.V.
De Aar 99
8253 PN Dronten
The Netherlands
Tel: +31(0) 321 310 043
E-mail: info@nitekeurope.net
WWW.NITEK.NET



PRODUCT OVERVIEW 2017

Welcome

Nitek is a Rolling Meadows, Illinois based company with a primary focus on design, development and manufacturing of high performance, reliable CCTV transmission systems. Customers in virtually every segment of commerce, industry and government have come to depend and rely upon Nitek products for their CCTV transmission requirements.

Over twenty years ago, Nitek made a commitment to find and fill vital needs with useful, cost-effective products in the area of video security. The result of that commitment has been a continually developing, diverse line of products for the transmission of video, power and data over unshielded twisted pair cables, structured cabling networks and leased telephone lines. Nitek products have become an integral part of the 'security backbone'; typically transparent to the system user, but critical to the system performance and the end result.

How we stand out from the rest:

- Top quality
- Life time warranty Video-Baluns
- 5 year warrant active products
- Superior noise rejection
- Built-in surge suppression
- Built-in ground loop isolation

Nitek products are UL listed and meet CE requirements; they are developed and manufactured in the United States of America.

NITEK[®] EUROPA

De Aar 99
8153 PN Dronten, NL
Phone: +31 321 - 310043
E-mail: info@nitekeurope.net

NITEK[®] USA

5410 Newport Drive, Suite #24
Rolling Meadows, Illinois 60008
Phone: +1 800 528 - 4343
Fax: +1 847 259 - 1300
E-mail: info@nitek.net

www.nitek.net



Index

Contents:

Etherstretch	4
Etherstretch Lyte	5
Etherstretch Pro	6
Fibermedia Converters	21
Video Balun Transceivers	25
Video, Power & Data Distribution	29
Active Receivers & Transmitters	31
Video Hubs	33
4 Channel Video Hubs	34
8/16 Channel Hubs	35
32 Channel Modular Hubs	40
UTPLinks [®]	43
Surge Protection Devices	47
Video & Data Transmission Products	50
Camera/Dome	54



Live Technical Support Available!

Any questions about installation, product performance or system design assistance can be answered by one of our engineers or technical support staff members.

Monday - Friday 8:30 a.m. to 5:00 p.m. CET

Visit our website for more in-depth product information, company news, product specification PDF's, CAD drawings and *Microsoft[®] Visio[®] Documents.

*Microsoft and Visio[®] are either registered trademarks or trademarks of Microsoft Corporation in the United States and/or other countries.

NITEK[®]

Etherstretch[™]



**Operation temperature:
-40° to 75° Celcius**

www.nitek.net



Etherstretch

EtherStretch[™]

IP Cameras Over Coax



Etherstretch Lyte

ER8200C
ER16200C
ER24200C



Features:

- Transmits IP data & PoE up to distances of 350 meters (1150 feet)
- Rack mounted multi-channel Etherstretch Lyte solution
- Fully transparent to the network
- Supports 100Mb and PoE over coax cable
- Supports any network device, including mega-pixel technology IP cameras
- Easy to install, no set up required
- LED indicators for network signals, link status and power
- Surge protected inputs
- Supports IEEE802.3af and IEEE802.3at
- Lifetime Warranty
- Made in the U.S.A.

ET1243C



Features:

- Supports 100Mb and PoE over RG59 cables up to distances of 350 meters (1150 feet)
- Fully transparent to the network, requiring no IP and Mac addressing
- Supports any network device, including mega-pixel IP cameras
- Easy to install, no set up required, Plug and Play
- Designed to work with ER8200C/ ER16200C/ ER24200C
- LED indicators for network signals, link status and power
- Surge protected input
- Ground loop isolation
- Lifetime Warranty
- Made in the U.S.A.

Etherstretch Pro

EL1500C



Features:

- Environmentally hardened - meets NEMA TS-1/TS-2
- Transmits up to distances of 500 meters (1640 feet)
- Supports mega-pixel technology
- Fully transparent to the network
- Supports any network device, including IP cameras
- Supports 10/100 and PoE over RG59 cables
- Easy to install, no set up required
- LED indicators for network signals, link status and power
- Lifetime Warranty
- 48Vdc PSU included
- Surge protected inputs
- Ground loop isolation

EL1500U



Features:

- Transmits up to distances of 600 meter
- Supports any network device, including IP cameras
- Supports 10/100 and PoE over RG59 cables
- LED indicators for network signals, link status and power
- Optional power supply can insert PoE power for non- PoE switches

Includes:

- 1 x Transmitter / 1 x Receiver / 1 x 48Vdc PSU

EL1551U



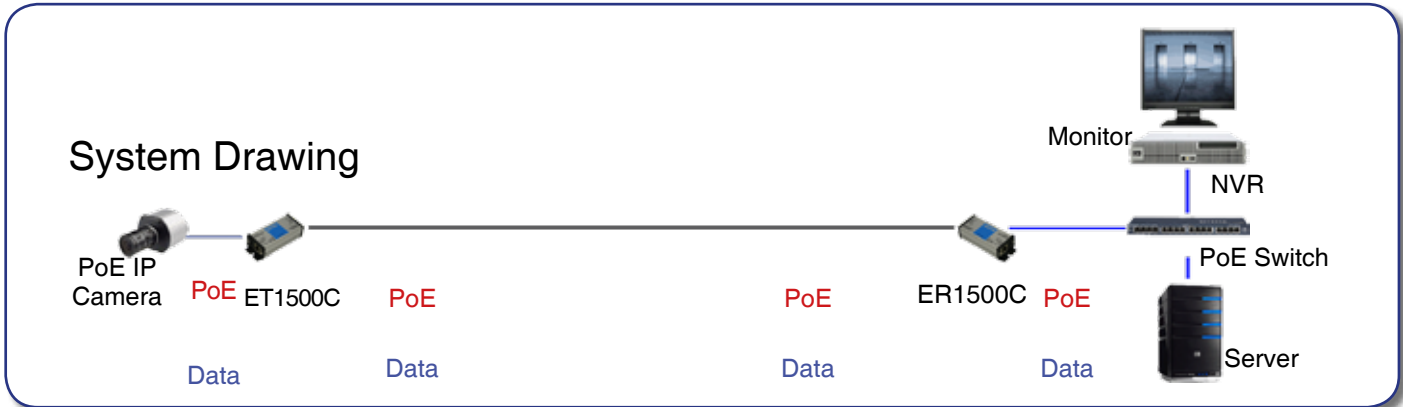
Features:

- Transmits up to distances of 450 meter
- Supports any network device, including IP cameras
- Supports 10/100 and PoE over a single pair of communication wires
- LED indicators for network signals, link status and power

Includes:

- 1 x Transmitter / 1 x Receiver / 1 x 48Vdc PSU

Etherstretch Pro



ET1500C



Features:

- Transmits up to distances of 500 meters
- Rack mounted multi-channel Etherstretch solution
- Includes a built-in power source for all connected devices
- Gigabit output network connectivity
- Supports 10/100 and PoE over coaxial cable
- Supports mega-pixel technology
- Supports IEEE802.3af (15.4W) and IEEE802.3at (25.5W)
- Ground loop isolation

ET1543C



Features:

- Environmentally hardened – meets NEMA TS-1/TS-2
- Supports 10/100 and PoE over RG59 cables up to distances of 300 meters (1000 feet)
- Fully transparent to the network
- Supports any network device, including mega-pixel technology IP cameras
- Easy to install, no set up required
- Lifetime Warranty
- LED indicators for network signals, link status and power
- Optional power supply can insert PoE power for non-PoE switches
- Surge protected inputs
- Ground loop isolation

Etherstretch Pro

ER8500C



Features:

- Transmits IP data & PoE up to distances of 500 meters
- Rack mounted multi-channel (8) Etherstretch solution
- Includes a built-in power source for all connected devices
- Gigabit output network connectivity
- Supports 10/100 and PoE over coax cable
- Supports mega-pixel technology
- Supports any network device, including IP cameras
- Supports IEEE802.3af (15.4W) and IEEE802.3at (25.5W)
- Ground loop isolation

ER16500C



Features:

- Transmits IP data & PoE up to distances of 500 meters
- Rack mounted multi-channel (16) Etherstretch solution
- Includes a built-in power source for all connected devices
- Gigabit output network connectivity
- Supports 10/100 and PoE over coax cable
- Supports mega-pixel technology
- Supports IEEE802.3af (15.4W) and IEEE802.3at (25.5W)
- Ground loop isolation

NITEK[®]
VIDEO TRANSMISSION



Every direction, the right connection.

www.nitek.net

Etherstretch Pro

ET1500U



Features:

- Transmits up to distances of 600 meters
- Supports mega-pixel technology
- Fully transparent to the network
- Supports any network device, including IP cameras
- Supports 10/100 and PoE over UTP cables
- Optional power supply can insert PoE power for non-PoE switches
- Surge protected inputs
- Ground loop isolation

ER8500U



Features:

- Transmits up to distances of 600 meters
- Rack mounted multi-channel (8) Etherstretch solution
- Includes a built-in power source for all connected devices
- Gigabit output network connectivity
- Supports 10/100 and PoE over UTP (CAT5e / CAT6)cables
- Supports mega-pixel technology
- Supports any network device, including IP cameras
- Supports IEEE802.3af (15.4W) and IEEE802.3at (25.5W)
- Ground loop isolation

ER16500U



Features:

- Transmits up to distances of 600 meters
- Rack mounted multi-channel Etherstretch solution
- Includes a built-in power source for all connected devices
- Gigabit output network connectivity
- Supports 10/100 and PoE over UTP (CAT5e / CAT6)cables
- Supports mega-pixel technology
- Supports IEEE802.3af (15.4W) and IEEE802.3at (25.5W)
- Ground loop isolation

Etherstretch Pro

EL4500C

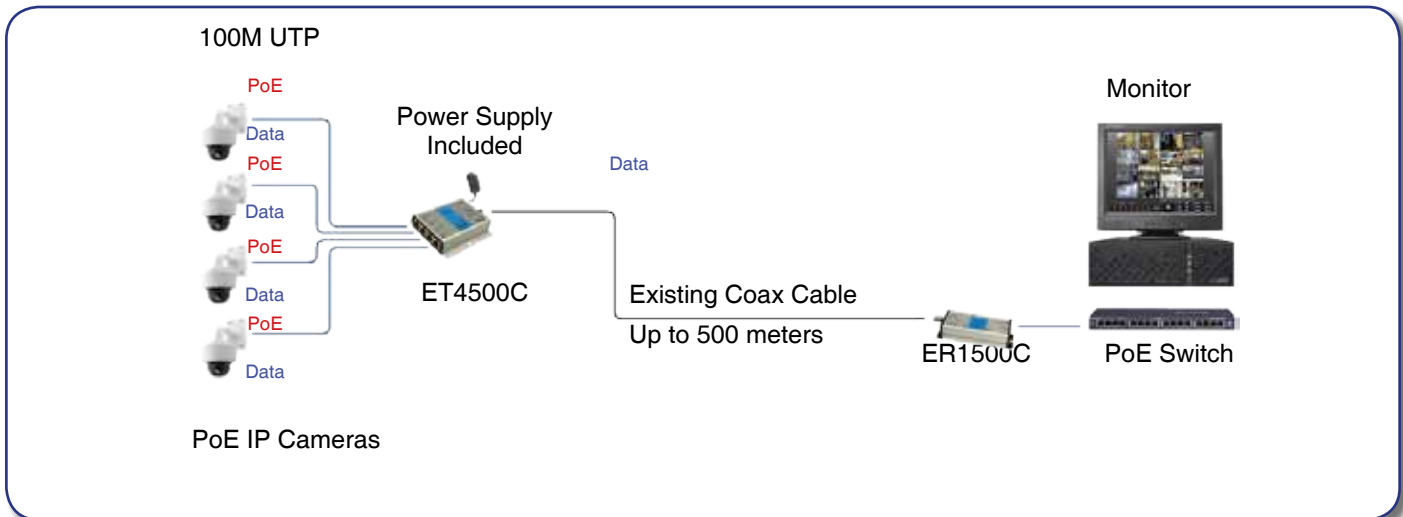


Features:

- Transmits up to distances of 500 meter
- Supports 4 network devices, including IP cameras
- Supports 10/100 and PoE over coaxial cables
- LED indicators for network signals, link status and power
- Optional power supply can insert PoE power for non- PoE switches

Includes:

- 4 port Transmitter / 1 x Receiver



ET4500C



Features:

- Transmits up to distances of 500 meters
- Rack mounted 4 channel Etherstretch solution
- Includes a built-in power source for all connected devices
- Gigabit output network connectivity
- Supports 10/100 and PoE over coaxial cables
- Supports mega-pixel technology
- Supports IEEE802.3af (15.4W) and IEEE802.3at (25.5W)
- Ground loop isolation

Etherstretch Pro

EL4500U



Features:

- Transmits up to distances of 600 meter
- Supports 4 network devices, including IP cameras
- Supports 10/100 and PoE over UTP cables
- LED indicators for network signals, link status and power
- Optional power supply can insert PoE power for non- PoE switches

Includes:

- 4 port Transmitter / 1 x Receiver

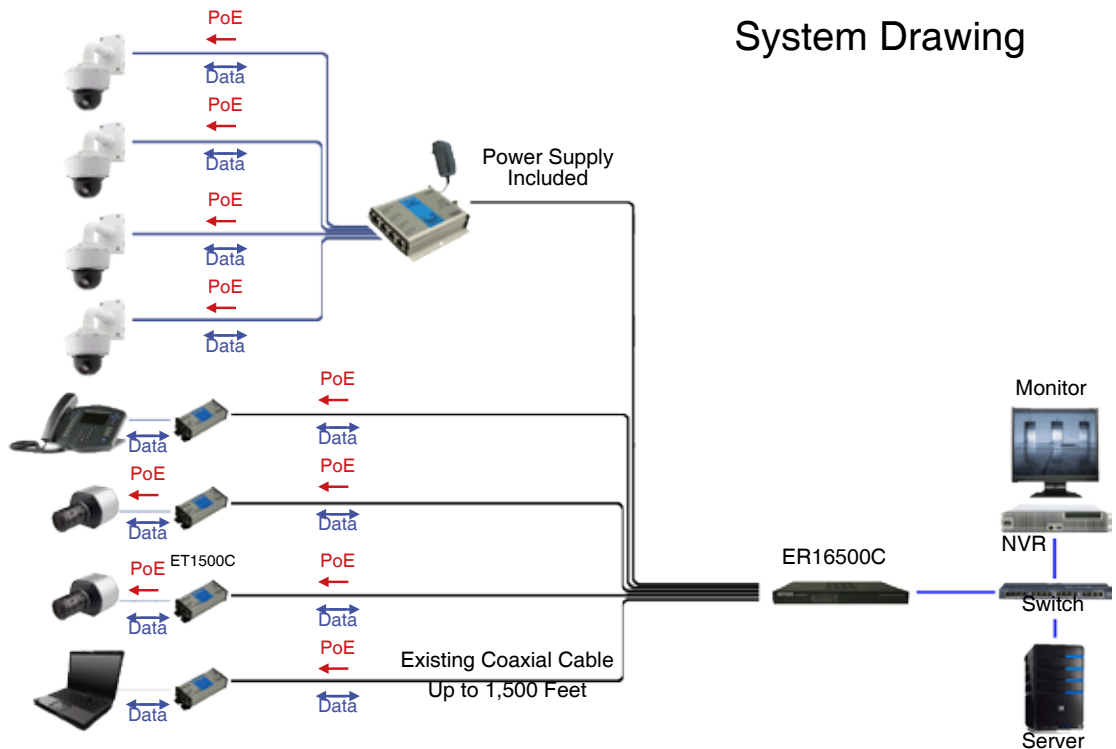
ET4500U



Features:

- Transmits up to distances of 600 meters
- Supports mega-pixel technology
- Fully transparent to the network
- Supports 4 network device, including IP cameras
- Supports 10/100 and PoE over UTP cables
- Optional power supply can insert PoE power for non-PoE switches
- Surge protected inputs
- Ground loop isolation

System Drawing



Etherstretch Pro

ER8400C



Features:

- IP 8 Port Ethernet over Coax Extender operates up to 500 meters
- Extends PoE to Transmitter and Ip Cameras or Network Devices
- Includes Built-In PoE Source (IEEE802.3at) and Gigabit Switch
- Transparent to the Network, no setup required
- Limited Lifetime Warranty
- Includes Receiver only - ET1500C Transmitters Purchased Separately

ER8400U



Features:

- IP 8 Port Ethernet Extender operates up to 600 meters
- Extends PoE to Transmitter and Ip Cameras or Network Devices
- Includes Built-In PoE Source (IEEE802.3at) and Gigabit Switch
- Transparent to the Network, no setup required
- Limited Lifetime Warranty
- Includes Receiver only - ET1500U Transmitters Purchased Separately

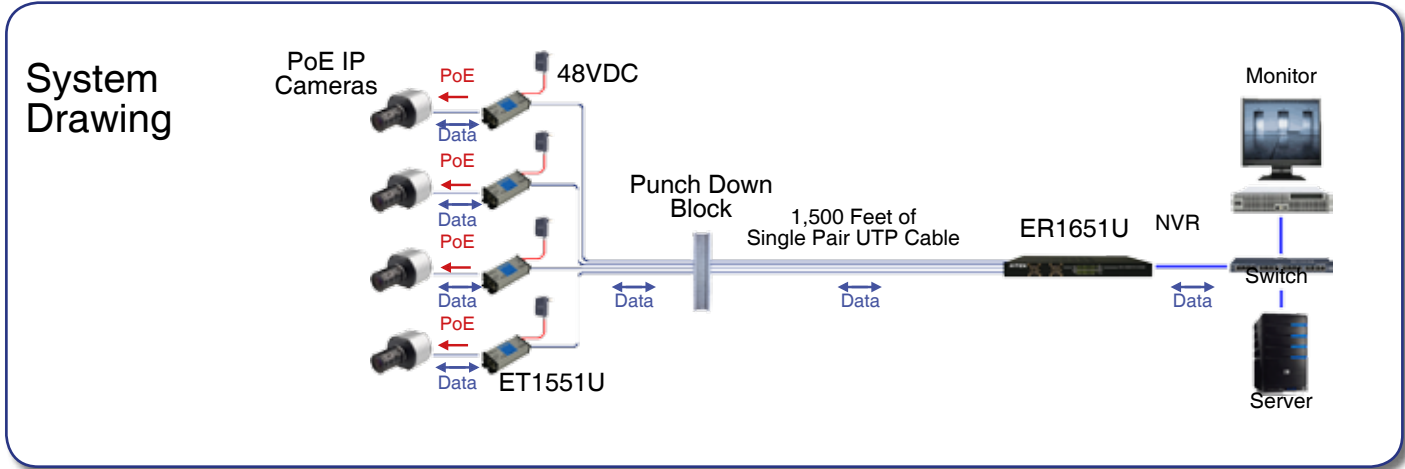
ER1651U



Features:

- IP Video twisted pair Network Extender
- Transmits up to distances of 500 meters
- Rack mounted multi-channel Etherstretch solution
- Includes a built-in power source for all connected devices
- Gigabit output network connectivity
- Supports 16 channels 10/100 and PoE over a single pair of communication wires
- Supports mega-pixel technology
- Ground loop isolation

Etherstretch Pro



EL1500CB



Features:

- Special version of the EL1500C
- No power transmitted over the Coax
- Both ET and ER need to be powered
- 12Vdc version

ET1500CB



Features:

- Environmentally hardened - meets NEMA TS-1/TS-2
- Support 10/100 over coaxial cables up to distances of 500 meters
- Fully transparent to the network
- Supports any network device, including mega-pixel technology IP cameras
- Easy to install, no set up required
- No MAC or IP addressing required
- LED indicators for network signals, link status and power
- Accepts power supply voltages from 9Vdc to 56Vdc
- Surge protected inputs
- Ground loop isolation

Etherstretch Pro

ER8500CB



Features:

- Special version of the ER16500C
- No power transmitted over the Coax
- Both ET and ER need to be powerd

ER16500CB



Features:

- Special version of the ER16500C
- No power transmitted over the Coax
- Both ET and ER need to be powerd

EL1500CW



Features:

- Transmits up to distances of 500 meter
- Supports any network device, including IP cameras
- Supports 10/100 and PoE over coaxial cables
- LED indicators for network signals, link status and power
- Optional power supply can isert PoE power for non- PoE switches

Includes:

- 1 x Transmitter / 1 x Receiver

Etherstretch Pro

EL1500UW



Features:

- Transmits up to distances of 600 meters
- Transmitter is fitted into a NEMA 4X rated enclosure to support outdoor application
- Supports mega-pixel technology
- Supports any network device, including IP cameras
- Supports 10/100 and PoE over category rated cables
- Optional power supply can insert PoE power for non-PoE switches
- Surge protected inputs
- Ground loop isolation

ET1500CW



Features:

- Transmits up to distances of 500 meters
- Transmitter is fitted into a NEMA 4X rated enclosure to support outdoor application
- Fully transparent to the network
- Supports any network device, including IP cameras
- Built-in surge protection
- LED indicators for network signals, link status and power
- Optional power supply can insert POE power for non-POE switches

ET1500UW



Features:

- Transmits up to distances of 600 meters meters over UTP cables
- Transmitter is fitted into a NEMA 4X rated enclosure to Supports megapixel technology
- Fully transparent to the network
- Supports any network device, including IP cameras
- Supports 10/100 and PoE over category rated cables
- Optional power supply can insert PoE power for non-PoE switches
- Surge protected inputs
- Ground loop isolation

Etherstretch Pro

EL1551UW



Features:

- Supports 10/100 and PoE over category rated cables up to distances of 600 meters
- Transmitter housed in a NEMA 4X rated enclosure for outdoor applications
- Fully transparent to the network
- Supports any network device, including mepa-pixel technology IP cameras
- Optional power supply can insert PoE power for non-PoE switches
- Ground loop isolation

ET1551UW



Features:

- Supports 10/100 and PoE over category rated cables up to distances of 600 meters
- Transmitter housed in a NEMA 4X rated enclosure for outdoor applications
- Fully transparent to the network
- Supports any network device, including mepa-pixel technology IP cameras
- Optional power supply can insert PoE power for non-PoE switches
- Ground loop isolation

EL1500CWS



Features:

- Supports 10/100 and PoE over coaxial cables up to distances of 500 meters
- Transmitter housed in a NEMA 4X rated enclosure for outdoor applications
- Fully transparent to the network
- Supports any network device, including mepa-pixel technology IP cameras
- Optional power supply can insert PoE power for non-PoE switches
- Ground loop isolation
- Surge protection

Etherstretch Pro

EL1500UWS



Features:

- Supports 10/100 and PoE over category rated cables up to distances of 600 meters
- Transmitter housed in a NEMA 4X rated enclosure for outdoor applications
- Fully transparent to the network
- Supports any network device, including mepa-pixel technology IP cameras
- Optional power supply can insert PoE power for non-PoE switches
- Ground loop isolation
- Surge protection

ET1500CWS



Features:

- Supports 10/100 and PoE over coaxial cables up to distances of 500 meters
- Transmitter housed in a NEMA 4X rated enclosure for outdoor applications
- Fully transparent to the network
- Supports any network device, including mepa-pixel technology IP cameras
- Optional power supply can insert PoE power for non-PoE switches
- Ground loop isolation
- Surge protection

ET1500UWS



Features:

- Supports 10/100 and PoE over UTP cables up to distances of 600 meters
- Transmitter housed in a NEMA 4X rated enclosure for outdoor applications
- Fully transparent to the network
- Supports any network device, including mepa-pixel technology IP cameras
- Optional power supply can insert PoE power for non-PoE switches
- Ground loop isolation
- Surge protection

Etherstretch

VR124COAX



Features:

- Transmits high speed Ethernet over legacy coaxial cable
- Transmits up to distances up to 750 meters
- Supports Mega-Pixel cameras
- Supports multi-camera installations
- Fully transparent to the network
- Support any network device, including IP cameras
- Dual stage surge protection
- LED indicators for network signals, link status and power
- Rack-mount kit available head-end

VR124UTP



Features:

- Transmits high speed Ethernet over legacy UTP cable
- Transmits up to distances up to 1600 meter
- Supports Mega-Pixel cameras
- Supports multi-camera installations
- Fully transparent to the network
- Support any network device, including IP cameras
- Dual stage surge protection
- LED indicators for network signals, link status and power
- Rack-mount kit available head-end

VR148COAX



Features:

- Transmits high speed Ethernet over legacy coaxial cable
- Transmits up to distances up to 750 meters
- Transmitter converts 24VAC to PoE for network devices
- Supports Mega-Pixel cameras
- Supports multi-camera installations
- Fully transparent to the network
- Support any network device, including IP cameras
- Dual stage surge protection.
- LED indicators for network signals, link status and power
- Rack-mount kit available head-end

Etherstretch

VR148UTP



Features:

- Transmits high speed Ethernet over legacy UTP cable
- Transmits up to distances of 1600 meters
- Transmitter converts 24VAC/VDC to IEEE 802.3af compliant PoE
- Supports mega-pixel cameras
- Fully transparent to the network
- Supports any network device, including IP cameras
- Dual stage surge protection
- LED indicators for network signals, link status and power
- Rack-mount kit available for head-end

VR448COAX



Features:

- Transmits high speed Ethernet over legacy coaxial cable
- Transmits up to distances of 750 meters
- Integrated 4 port PoE unmanaged network switch
- Provides PoE on demand for up to four devices
- Supports multi-camera installations
- Fully transparent to the network
- Supports any network device, including IP cameras
- Dual stage surge protection
- LED indicators for network signals, link status and power
- Rack-mount kit available for head-end

VR448UTP



Features:

- Transmits high speed Ethernet over legacy UTP cable
- Transmits up to distances of 1600 meters
- Integrated 4 port PoE unmanaged network switch
- Provides PoE on demand for up to four devices
- Supports multi-camera installations
- Fully transparent to the network
- Supports any network device, including IP cameras
- Dual stage surge protection
- LED indicators for network signals, link status and power
- Rack-mount kit available for head-end

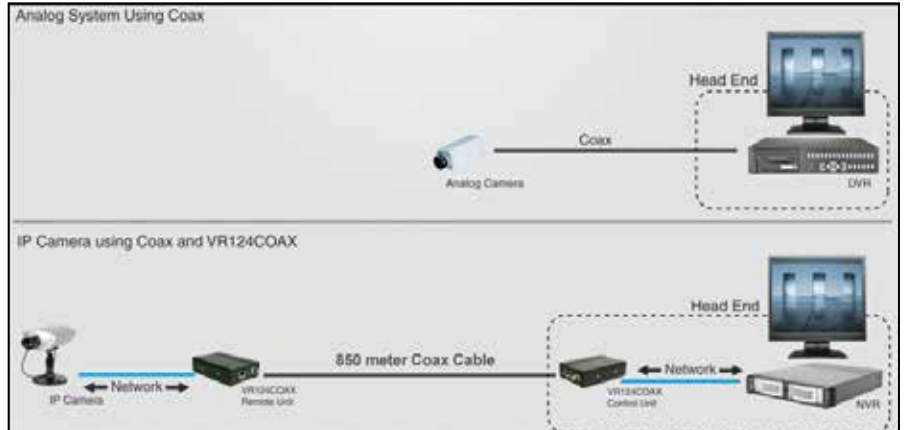
Etherstretch

Upgrade Equipment. Keep the Cable.

The VR124 can transmit network signals over both coax and unshielded category cabling. This allows simpler equipment upgrades without having to remove and/or install new cabling.

Coax

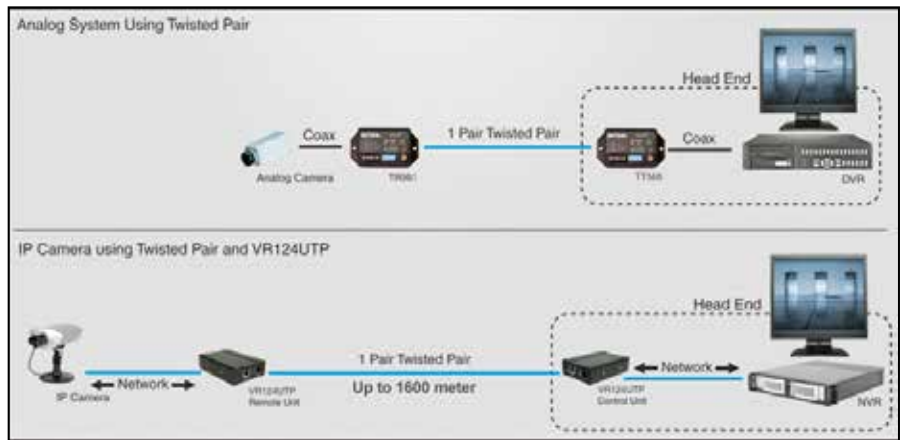
Coax cable distances up to 750 meter can transmit network signals from IP cameras. The VR124 encodes the network signal into a format that is able to be sent over a coaxial cable. The VR124 receiver decodes the signal and outputs the TCP/IP communications into the network for viewing, recording and retrieving.



**Power over Ethernet transmitter option available.*

Unshielded Twisted Pair

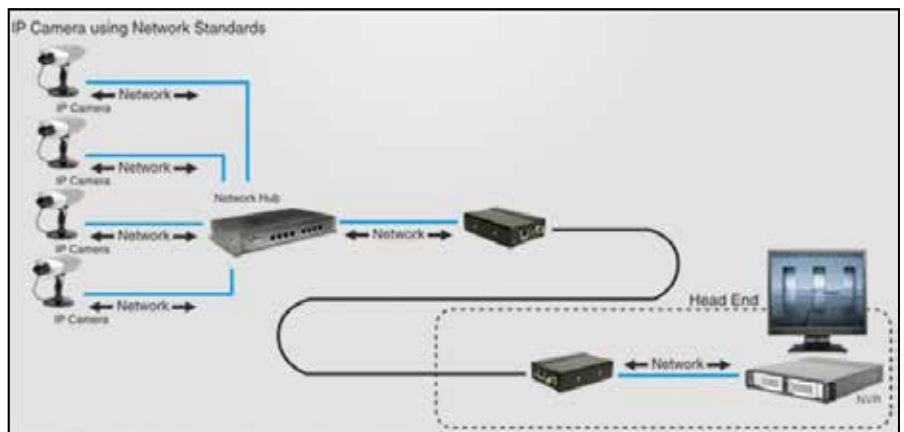
The VR124 can also transmit network signals from an IP camera up to 1600 meter with a single pair of unshielded twisted pair cable that has traditionally been used to transmit analog video signals.



**Power over Ethernet transmitter option available.*

Multi-Camera Installation

The VR124 supports transmission of any TCP/IP devices. The units are capable of transmitting multiple signals over a single coax or UTP cable. Simply connecting the VR124 transmitter to a network hub, router or switch will allow the network traffic to be extended over an existing cable.





Fiber Media Converters



Fiber Media Converters

FSS20111S



Features:

- Compatible with PAL / NTSC / SECAM video systems
- Supports RS422 2-wire and RS485 4-wire data protocols
- Distances up to 20Km in single-mode transmission
- Distances up to 1.2Km in multi-mode transmission
- Individual modules can be installed in the FRS2020 2U rack-mount chassis
- Real time digitally encoded video
- No degradation for video regeneration
- Wide temperature operating range
- System supports 'hot swapping'
- LED indicators for power, video and data

FSS20811S



Features:

- Real time digitally encoded video
- Compatible with PAL / NTSC / SECAM video systems
- Support RS-422 2-wire and RS-485 4-wire data protocols
- Distances up to 20Km in single-mode transmission
- Distances up to 1.2Km in multi-mode transmission
- No degradation for video regeneration
- LED indicators for power and link status
- Standard 1U rack-mount chassis
- Wide temperature range
- Desktop or rack-mounting

FSS21611S



Features:

- 16 video and bi-directional data on a single fiber
- Compatible with PAL / NTSC / SECAM video systems
- Support RS-422 2-wire and RS-485 4-wire data protocols
- Distances up to 20Km in single-mode transmission
- Distances up to 1.2Km in multi-mode transmission
- Digital transmission means no degradation of video
- LED indicators for power, video and link status
- Wide temperature range
- Desktop or rack-mounting
- Standard 1U rack-mount chassis

Fiber Media Converters

MC722MT-2



Features:

- Compliant with IEEE802.3 and IEEE802.3u 100BaseTX/FX standards
- Extends standard Ethernet cable limits
- Autosensing MDI/MDIX crossover for network port
- 10/100 Mbps Auto Negotiation
- Fully transparent to the network
- Supports any network device, including IP camera
- No MAC or IP addressing required
- LED indicator for network signals, link status and power
- Extends network limitation
- Includes:
 - Power, link and status LED's
 - 1 x Transmitter and 1 x Receiver

MC722SG-10



Features:

- Compliant with IEEE802.3 and IEEE802.3u 1000BaseTX/FX standards
- Extends standard Ethernet cable limits
- Autosensing MDI/MDIX crossover for network port
- 1000Mbps
- Fully transparent to the network
- Supports any network device, including IP cameras
- Easy to install, no set up required
- No MAC or IP addressing required
- LED indicators for network signals, link status and power

MC722ST-20



Features:

- Compliant with IEEE802.3 and IEEE802.3u 100BaseTX/FX standards
- Extends standard Ethernet cable limits
- Autosensing MDI/MDIX crossover for network port
- 10/100Mbps Auto Negotiation
- Fully transparent to the network
- Supports any network device, including IP cameras
- Easy to install, no set up required
- No MAC or IP addressing required
- LED indicators for network signals, link status and power

Fiber Media Converters

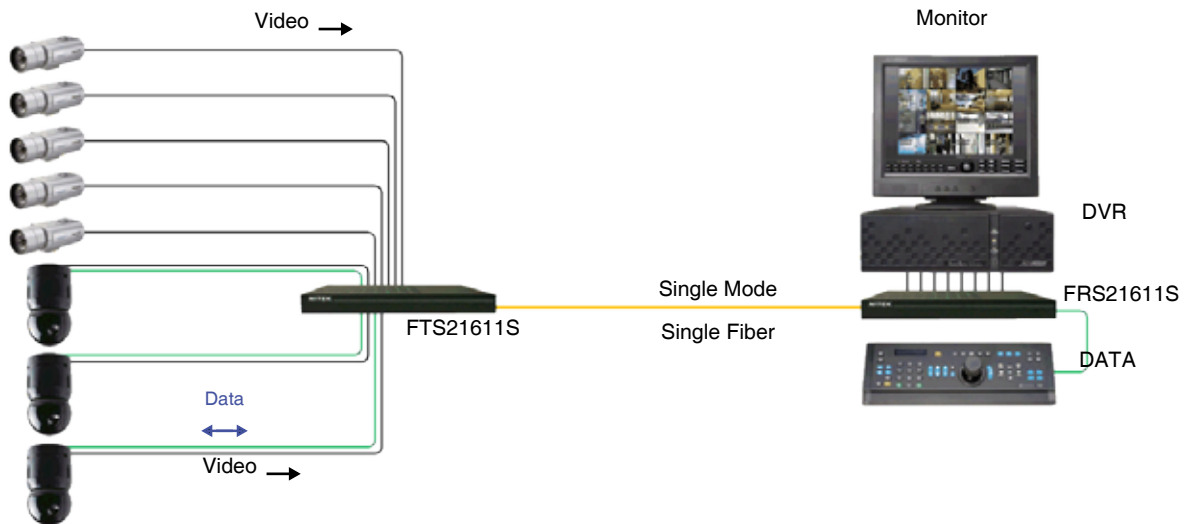
MC721MG-1



Features:

- Compliant with IEEE802.3 and IEEE802.3u
- 1000BaseTX/FX standards
- Extends standard Ethernet cable limits
- Autosensing MDI/MDIX crossover for network port
- 1000Mbps
- Fully transparent to the network
- Supports any network device, including IP cameras
- Easy to install, no set up required
- No MAC or IP addressing required
- LED indicators for network signals, link status and power

System Drawing



Video Balun Transceivers



Video Balun Transceivers

- up to 900 meter
- up to 1500 meter point to point

VB37F



Distance:

- 225 meter w/ passive receivers
- 350 meter point to point
- 900 meter w/ active receivers
- 1500 meter point to point w/active receivers

VB39F



Distance:

- 225 meter w/ passive receivers
- 350 meter point to point
- 900 meter w/ active receivers
- 1500 meter point to point w/active receivers

Features:

- Surge suppression

VB37M



Distance:

- 225 meter w/ passive receivers
- 350 meter point to point
- 900 meter w/ active receivers
- 1500 meter point to point w/active receivers

Video Balun Transceivers

- up to 900 meter
- up to 1500 meter point to point

VB39M



Distance:

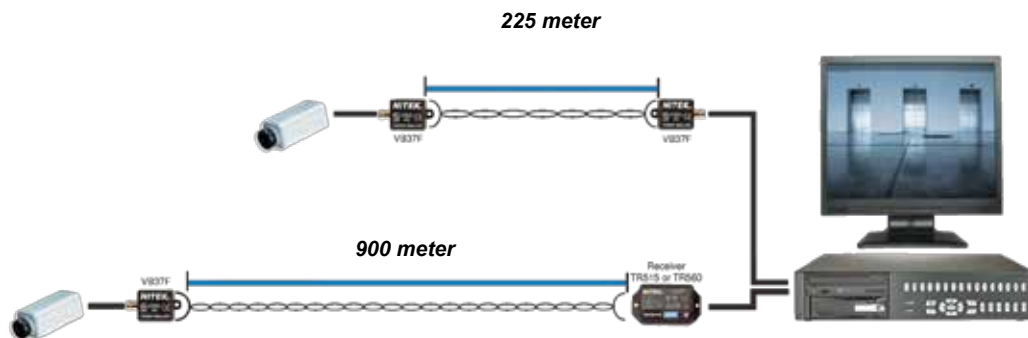
- 225 meter w/ passive receivers
- 350 meter point to point
- 900 meter w/ active receivers
- 1500 meter point to point w/active receivers

Features:

- Surge suppression

Installation

Sample installation using Nitek products.



VB31PT



Distance:

- 225 meter w/ passive receivers
- 350 meter point to point
- 900 meter w/ active receivers
- 1500 meter point to point w/active receivers

Features:

- Push-in terminals

Video Balun Transceivers

- up to 900 meter
- up to 1500 meter point to point

VB31M



Distance:

- 225 meter w/ passive receivers
- 350 meter point to point
- 900 meter w/ active receivers
- 1500 meter point to point w/active receivers

Features:

- RJ45 jack

VB31AT



Distance:

- 225 meter w/ passive receivers
- Power up to 250 meter
- 350 meter point to point
- 900 meter w/ active receivers
- 1500 meter point to point w/active receivers

Features:

- RJ45 jack
- Transmits video and power

VB43ATF



Distance:

- 225 meter w/ passive receivers
- Power up to 250 meter
- 350 meter point to point
- 900 meter w/ active receivers
- 1500 meter point to point w/active receivers

Features:

- RJ45 jack
- Transmits video/power/data
- Push-in terminals
- Intelligent link indicators

Video, Power & Data Distribution



Video, Power & Data Distribution

PVX44



Power input:

- Screw terminals

Video and data connections:

- RJ45 jacks

Features:

- Power LED's
- 568B wiring standards

PVX164



Power input:

- Screw terminals

Video and data connections:

- RJ45 jacks

Features:

- Power LED's
- 568B wiring standards

PV824



Features:

- Self-contained UTP video receiver & integrated 28VAC eight channel power supply
- Wall mounted power insertion UTP video receiver panel
- Eight UTP inputs - RJ45 jacks
- Eight video outputs - BNC
- Individually fused power outputs
- Video and power LED indicators
- UL listed

Active Receivers & Transmitters



Active Receivers & Transmitters

- up to 1800 / 2200 meter
- up to 3650 / 4800 meter point to point

TR515



Distance:

- 450 meter w/ passive transceiver

Features:

- Surge suppression
- Ground loop isolation
- Digital adjustment technology

Includes:

- Power supply

TR560



Distance:

- 900 meter w/ passive transceiver
- 1800 meter w/ active transceiver

Features:

- Surge suppression
- Ground loop isolation
- Digital adjustment technology

Includes:

- Power supply

EX1120



Distance:

- Up to 3650 meter

Features:

- Surge suppression
- Ground loop isolation
- Digital adjustment technology

Includes:

- 1 x Transmitter
- 1 x Receiver
- 2 x Power supplies

Video Hubs



4 Channel Video Hubs

- up to 1800 meter
- up to 2200 meter point to point

VH439



Distance:

- 225 meter w/ passive transmitters
- 350 meter point to point
- 900 meter w/ active transmitters

Features:

- Screw terminals
- RJ45 jack
- Surge suppression
- No power required

VH451



Distance:

- 450 meter w/ passive transmitters

Features:

- Screw terminals
- RJ45 jack
- Surge suppression
- Intelligent link indicators
- Ground loop isolation
- Power supply included

VH456



Distance:

- 900 meter w/ passive transmitters
- 1800 meter w/ active transmitters

Features:

- Screw terminals and RJ45 jack
- Surge suppression
- Intelligent link indicators
- Ground loop isolation
- Power supply included

8 / 16 Channel Passive Hubs

VH839



Distance:

- 225 meter w/ passive transmitters
- 350 meter point to point
- 900 meter w/ active transmitters

UTP input:

- Screw terminals

VH839M



Distance:

- 225 meter w/ passive transmitters
- 350 meter point to point
- 900 meter w/ active transmitters

UTP input:

- RJ45 Jacks

VH1639



Distance:

- 225 meter w/ passive transmitters
- 350 meter point to point
- 900 meter w/ active transmitters

UTP input:

- Screw terminals

8 / 16 Channel Passive Hubs

VH1639M



Distance:

- 225 meter w/ passive transmitters
- 350 meter point to point
- 900 meter w/ active transmitters

UTP input:

- RJ45 Jacks

Close Up

Take a closer look at some of the features that set Nitek apart from the rest.



Screw Terminals

Standard models feature the traditional screw terminals as the twisted pair inputs.

RJ45 Connections

'M' models offer an alternative of an RJ45 jack for quick and confident twisted pair connections.

Dual Video Outputs

All active hubs provide dual video outputs to make recording, controlling and video distribution easy.

8 / 16 Channel Active Hubs

VH851



8 Channel Active Hub

Distance:

- 450 meter w/ passive transmitters

UTP input:

- Screw terminals

Features:

- Surge suppression
- Intelligent link indicators
- Ground loop isolation
- Power supply included

VH851M



8 Channel Active Hub

Distance:

- 450 meter w/ passive transmitters

UTP input:

- RJ45 Jacks

Features:

- Surge suppression
- Intelligent link indicators
- Ground loop isolation
- Power supply included

VH1651



16 Channel Active Hub

Distance:

- 450 meter w/ passive transmitters

UTP input:

- Screw terminals

Features:

- Surge suppression
- Intelligent link indicators
- Ground loop isolation
- Power supply included

8 / 16 Channel Active Hubs

VH1651M



16 Channel Active Hub

Distance:

- 450 meter w/ passive transmitters
- UTP input:
- RJ45 Jacks

Features:

- Surge suppression
- Intelligent link indicators
- Ground loop isolation
- Power supply included

VH856



8 Channel Active Hub

Distance:

- 900 meter w/ passive transmitters
- 1800 meter w/ active transmitters

UTP input:

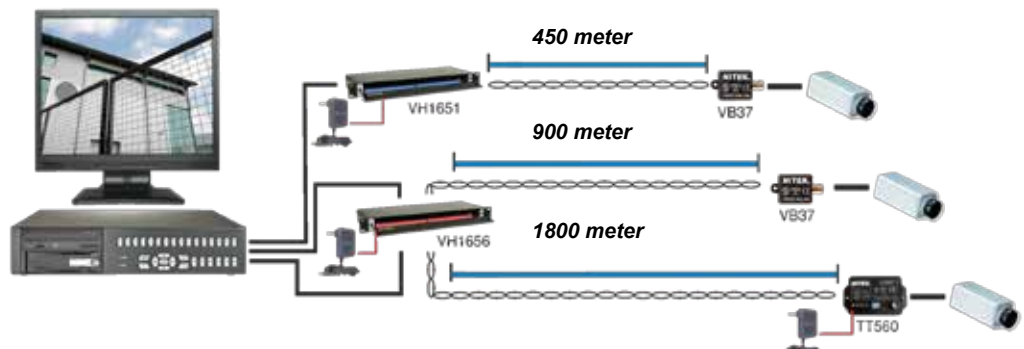
- Screw terminals

Features:

- Surge suppression
- Intelligent link indicators
- Ground loop isolation
- Power supply included

Installation

Sample installation using Nitek products.



8 / 16 Channel Active Hubs

VH856M



8 Channel Active Hub

Distance:

- 900 meter w/ passive transmitters
- 1800 meter w/ active transmitters

UTP input:

- RJ45 jacks

Features:

- Surge suppression
- Intelligent link indicators
- Ground loop isolation
- Power supply included

VH1656



16 Channel Active Hub

Distance:

- 900 meter w/ passive transmitters
- 1800 meter w/ active transmitters

UTP input:

- Screw terminals

Features:

- Surge suppression
- Intelligent link indicators
- Ground loop isolation
- Power supply included

VH1656M



16 Channel Active Hub

Distance:

- 900 meter w/ passive transmitters
- 1800 meter w/ active transmitters

UTP input:

- RJ45 jacks

Features:

- Surge suppression
- Intelligent link indicators
- Ground loop isolation
- Power supply included

32 Channel Modular Hubs

- up to 1800 meter
- up to 2200 meter point to point

VH3239



32 Channel Passive Hub

Distance:

- 225 meter w/ passive transmitters

UTP input:

- Screw terminals

Features:

- Surge suppression
- Intelligent link indicators

VH3251



32 Channel Active Hub

Distance:

- 450 meter w/ passive transmitters

UTP input:

- Screw terminals

Features:

- Surge suppression
- Intelligent link indicators
- Ground loop isolation
- Power supply included

VH3256



32 Channel Active Hub

Distance:

- 900 meter w/ passive transmitters
- 1800 meter w/ active transmitters

UTP input:

- Screw terminals

Features:

- Surge suppression
- Intelligent link indicators
- Ground loop isolation
- Power supply included

32 Channel Modular Hubs

VH3200



32 Channel Modular Chassis

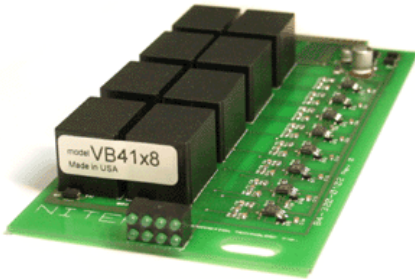
Holds up to four of the following:

- VB41x8
- TR515x8
- TR560x8

UTP input:

- Screw terminals
- 110 punch down option available
- Features:
- Power supply included

VB41x8



8 Channel Passive Modular Card

Distance:

- 225 meter w/ passive transmitters

Features:

- Surge suppression
- Intelligent link indicators

TR515x8



8 Channel Active Modular Card

Distance:

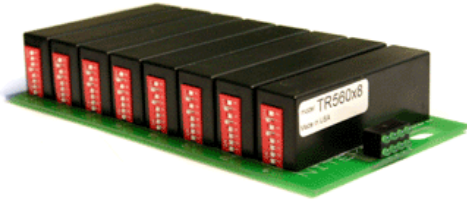
- 450 meter w/ passive transmitters

Features:

- Surge suppression
- Ground loop isolation
- Intelligent link indicators

32 Channel Modular Hubs

TR560x8



8 Channel Active Modular Card

Distance:

- 900 meter w/ passive transmitters
- 1800 meter w/ active transmitters

Features:

- Surge suppression
- Ground loop isolation
- Intelligent link indicators

Close Up

Take a closer look at some of the features that set Nitek apart from the rest.



Accommodates Different Distances

Receive video up to 1800 meter with different modular cards in each slot of the card cage.

Front Panel Access to Modular Cards

Gain access to the modular cards from the front of the rack without disconnecting any communication cables.

UTPLinks[®]



UTPLinks[®] - Local Solution

CX452



UTPLinks[®] Modular Card Cage

Features:

- Holds up to five cards
- Single data input

CHM22



UTPLinks[®] Power Insertion Card

Features:

- Selectable 24/28VAC
- RS422/485 distribution
- Built-in video baluns

PS115



UTPLinks[®] Power Supply

Features:

- Single RU construction
- Rack mounted
- 28VAC 10 amp supply

UTPLinks® - Mid Span Solution

CX254



UTPLinks® Power Supply

Features:

- Modular Crossover Card Cage with built in power supply
- Component of the UTPLinks™ System

CXM22



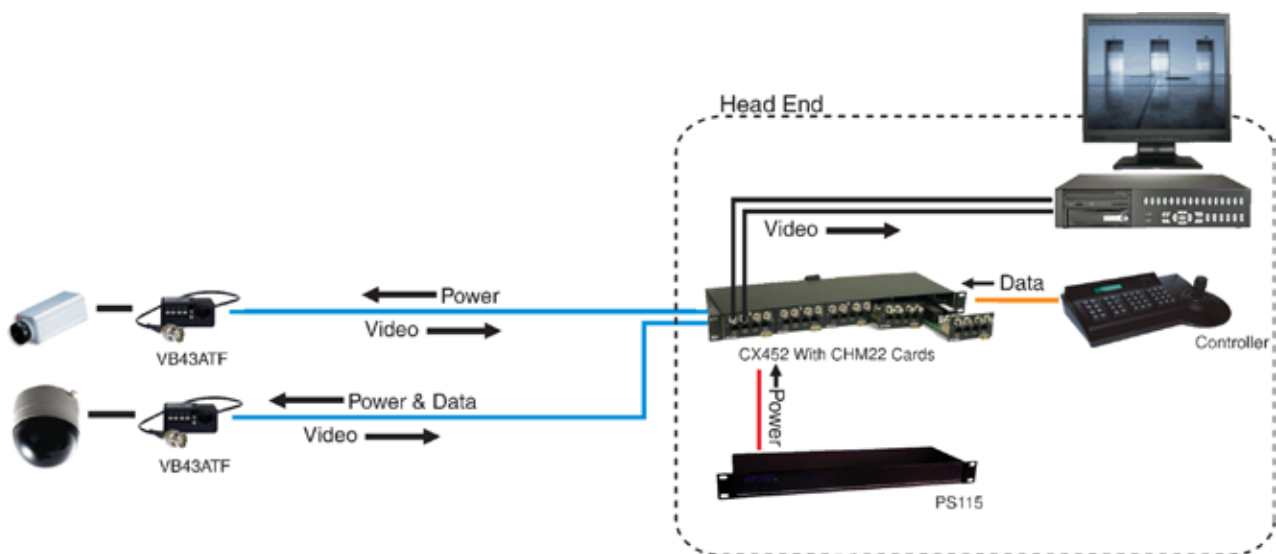
UTPLinks® Power Insertion Card

Features:

- Selectable 24/28VAC
- RS422/485 distribution

Installation

Sample installation using Nitek products.



UTPLinks[®] - IP Camera Solution

CX452



UTPLinks[®] Modular Card Cage

Features:

- Holds up to five cards
- Single data input

POE48



UTPLinks[®] PoE Insertion Card

Features:

- Powers PoE network devices
- Transmits network data

FAN64



UTPLinks[®] Power Supply

Features:

- Provides air circulation

PS115



UTPLinks[®] Power Supply

Features:

- Single RU construction
- Rack mounted
- 28VAC 10 amp supply

Surge Protection Devices



Surge Protection Devices

DVRPTR16



16 Channel DVR Protector

Features:

- Multi-stage surge protector
- Rack mounted

IPPTR12



12 Channel Network Protector

Features:

- Multi-stage surge protector
- Rack mounted
- Allow for PoE pass-through

CAMPVC24 CAMUTP24



Single Channel Camera Protector

Features:

- Multi-stage surge protector
- Protects video, power & data
- BNC and UTP versions available

UTPPTR4



Four Pair UTP Surge Protector

Features:

- Multi-stage surge protector

Surge Protection Devices

CAMPTR1



Single Channel Surge Protector

Features:

- Multi-stage surge protector
- Inline coaxial surge protector
- Installs in minutes

CAMIP1



Inline Network Protector

Features:

- Multi-stage surge protector
- Perfect for IP cameras
- Heavy single point ground

NITEK



BE PROTECTED, STAY CONNECTED



NITEK[®]
Security Transmission Solutions

Video & Data Transmission Products



Video & Data Transmission Products

DL1142



RS422/485 Line Driver

Features:

- Extends data up to 3650 meter
- Supports RS422/485

Includes:

- 1 x Power supply

AS1000



Audio Balun Transceivers

Features:

- Extends audio up to 3650 meter No power required

Includes:

- 2 x Transceivers

MMB1



S-Video and Audio Balun Transceiver

Features:

- Transmits S-video
- Transmits two audio channels

Sold Individually

Video & Data Transmission Products

DL2105



RS232 Line Driver

Features:

- Extends data up to 3650 meter
- Supports RS232

Includes:

- 1 x Power supply

PS48



Power Supply for PoE Insertion

Features:

- Power adaptor for use with IPT148
- Input voltage 100V-120VAC
- Output 48VDC at 15 watts

RK115



Rack Panel

Features:

- Holds 10 VB37M or VB39M
- Fits in standard 19" rack

Video & Data Transmission Products

CXJ30



Coax Jumper Kit

Features:

- 16 x 90 cm long coax patch cables

RB102/104



19" Rack Panel Wall Bracket

- RB102 - 2 RU
- RB104 - 4 RU

Ideally used with:

- RK100
- RK115
- DVRPTR16
- IPPTR12

RK124



IPQuikLinks[®] Rack Mount Kit

Features:

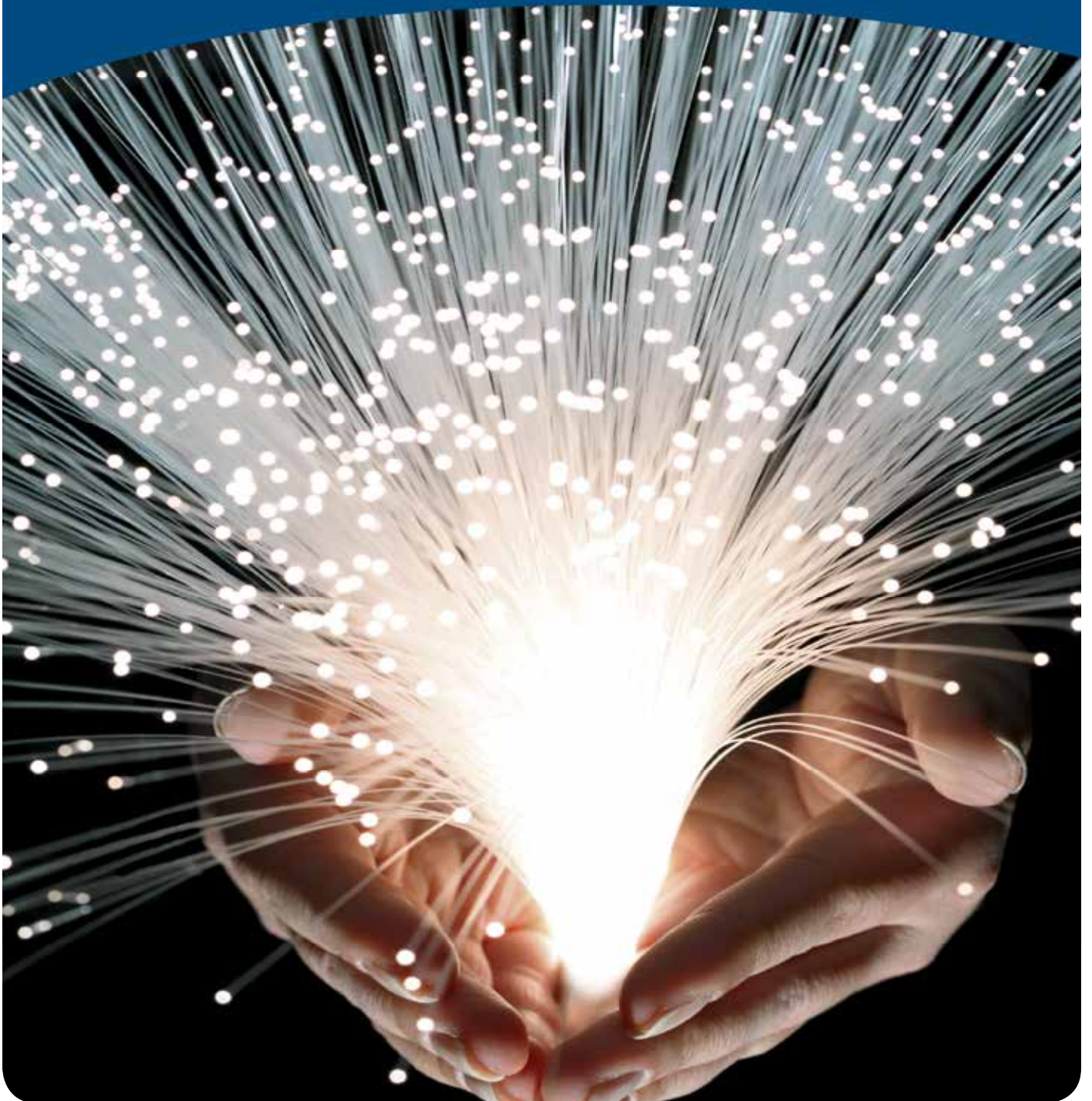
- Holds 5 of the VR124 receivers
- Units share power source

Includes:

- 1 x Power supply

NITEK[®]

FIBER OPTIC VIDEO TRANSMISSION PRODUCTS




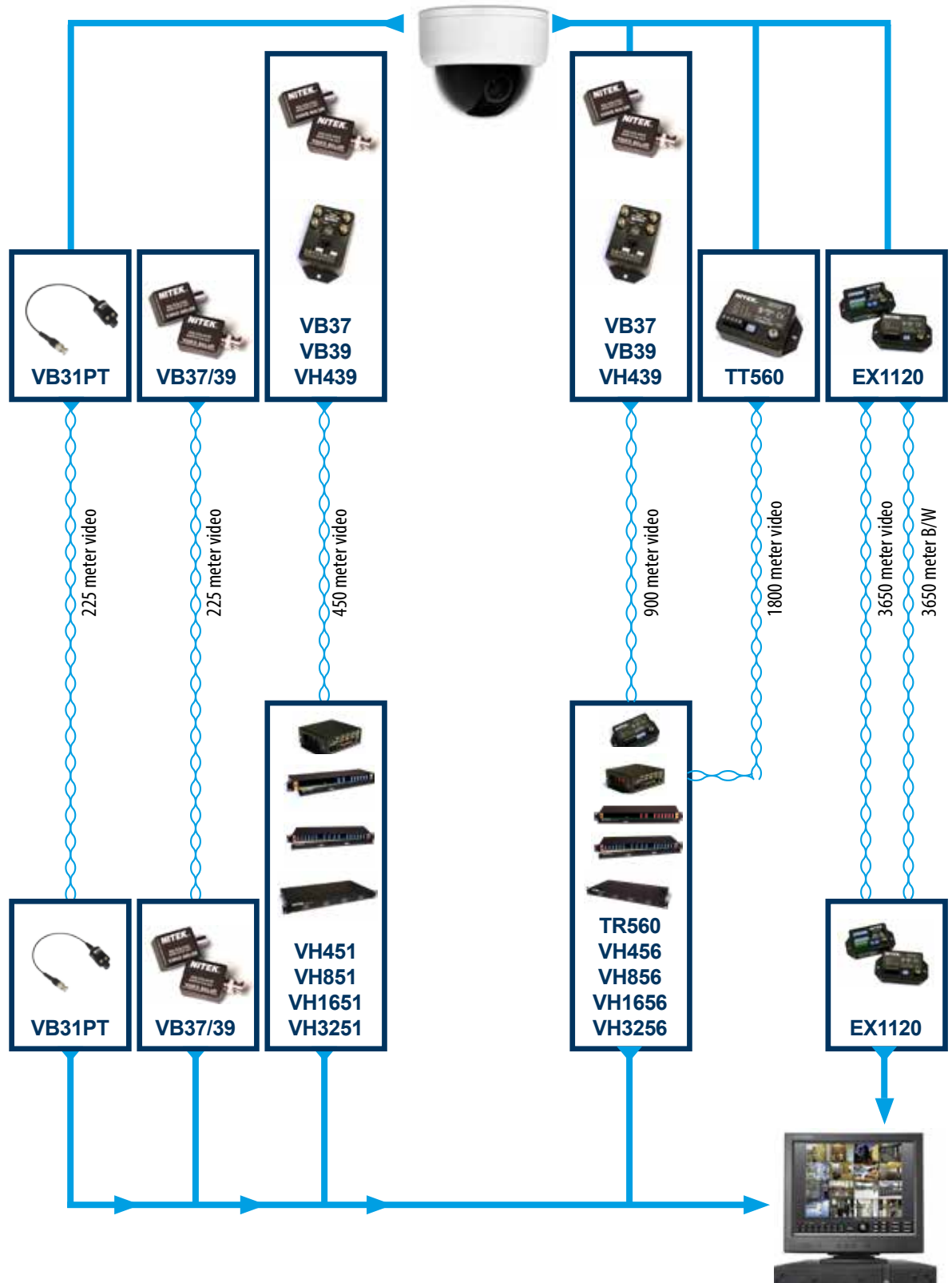
FIXED CAMERA / DOME

1 pair / 2 wires

 = video signal

 = data signal

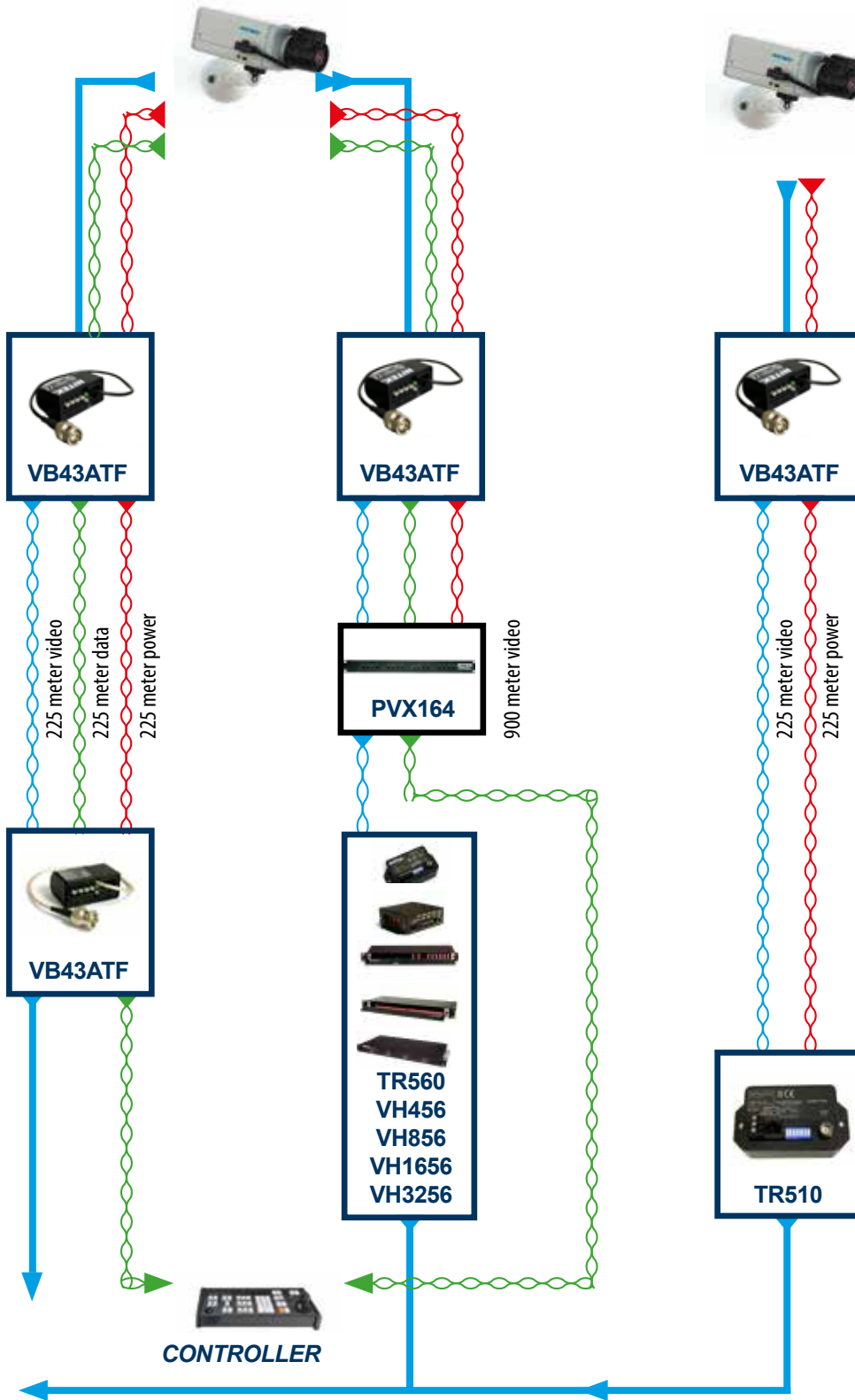
 = power signal



PTZ CAMERA / DOME

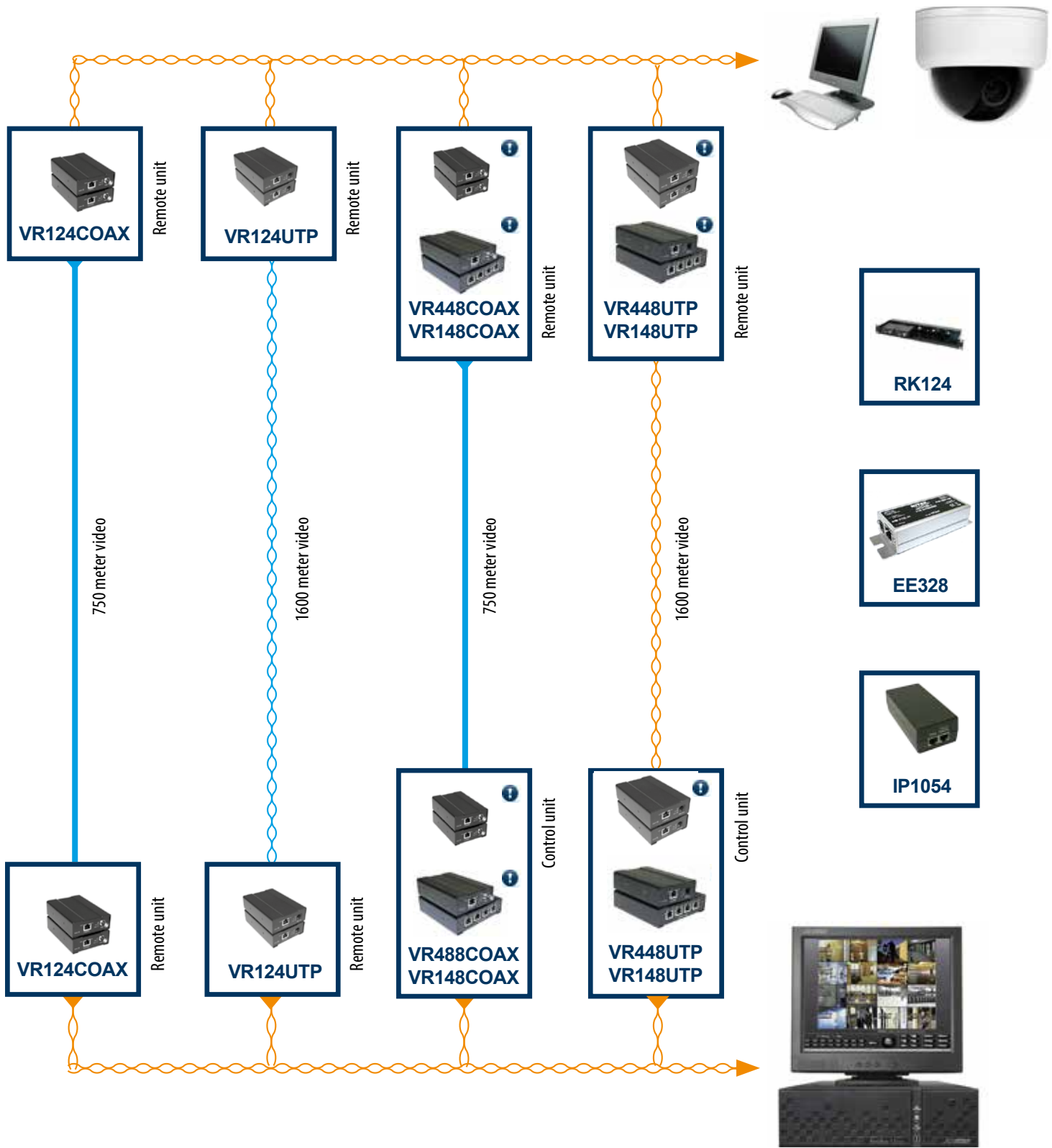
IP CAMERA TWISTED PAIR

coax ————— = video signal



FIXED CAMERA / DOME

1 pair / 2 wires  = video signal 4 pair / 8 wires  = video signal / power signal



DEVICE SELECTION

PTZ CAMERA / DOME IP CAMERA TWISTED PAIR

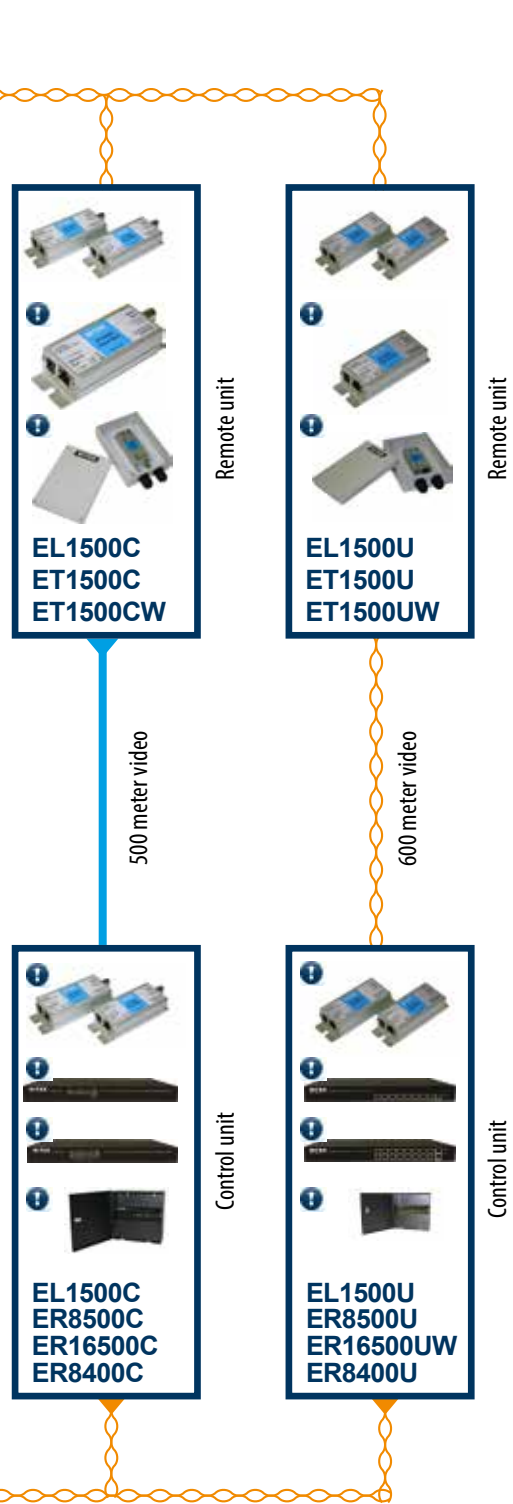
coax = video signal / power signal



The RK124 rack mount panel provides a convenient and cost-effective means to mount and power up to 5 VR124, VR148, or VR448 receiver units.

The EE328 allows Ethernet and POE to be extended for distances up to 600 meters.

The IP1054 accepts data transmission from the network, while connecting to the IP device transmitting power over Ethernet and network data up to 100 m.

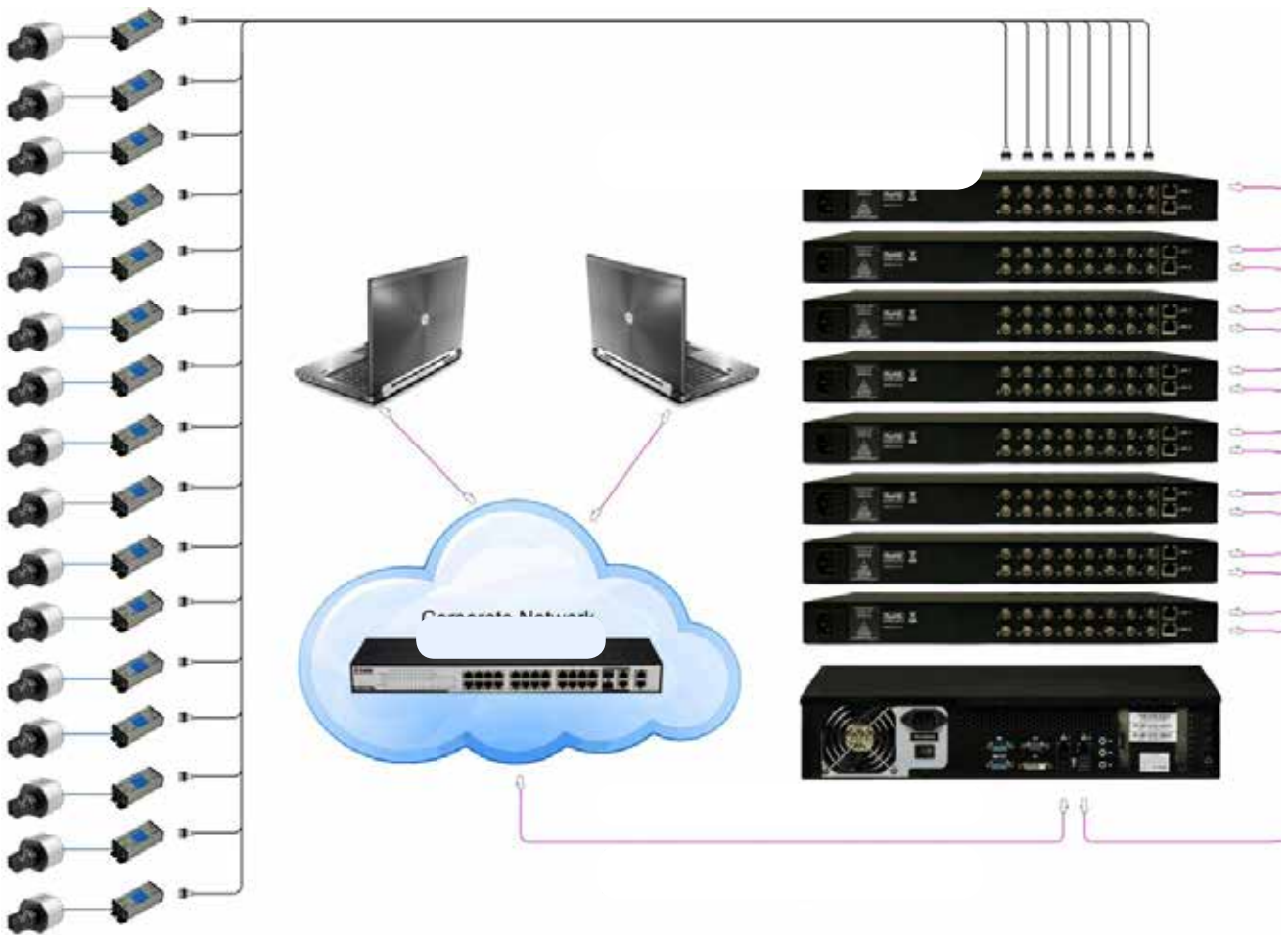


NOTES



NITEK®

Security Transmission Solutions



Nitek EMEA
De Aar 99
8253 PN Dronten
The Netherlands
Tel: +31(0) 321 310 043
E-mail: info@nitekeurope.net
WWW.NITEK.NET