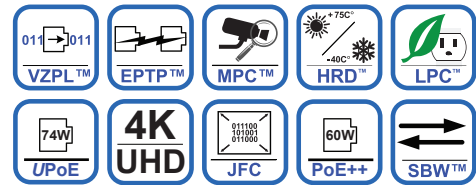


Vi2304A/Vi2308A/Vi2316A

MaxiiCopper™ 4, 8 and 16-port High-Speed Ethernet Extenders over UTP

Features

- Extends Ethernet beyond 328 feet (100 m) limitation up to 3,000 feet (914 m) over UTP
- Saves additional networking equipment costs and reduces installation time.
- Extended Pass Through PoE (PTP™) compatible with 802.3af/at and PoE ++ (74W)
- UPoE Compliant to 74 watts
- MegaPixel Certified (MPC™) High data rate, ideal for high bandwidth requirements of MegaPixel cameras, multiple IP cameras systems and cameras requiring Jumbo Frames
- Symmetric Bandwidth (SBW™) provides consistent upload and download with Virtual Zero Packet Loss (VZPL™)
- Type tested to RFC-2544 TCP/IP network bandwidth packet transmission standards
- Supports one-pair or four-pair UTP wires with built-in transceiver cable connectivity tester
- Type tested for -40°C to +75°C temperature range under conforming to NEMA-TS2
- Data rate selectable to for maximum bandwidth utilization
- Complies to major IEEE standards and RFC protocols for UDP, TCP/IP, HTTP/HTTPS
- Available in 4, 8, and 16 channel combinations to fit any size application
- USA designed and manufactured
- Limited Life Time Warranty



Applications

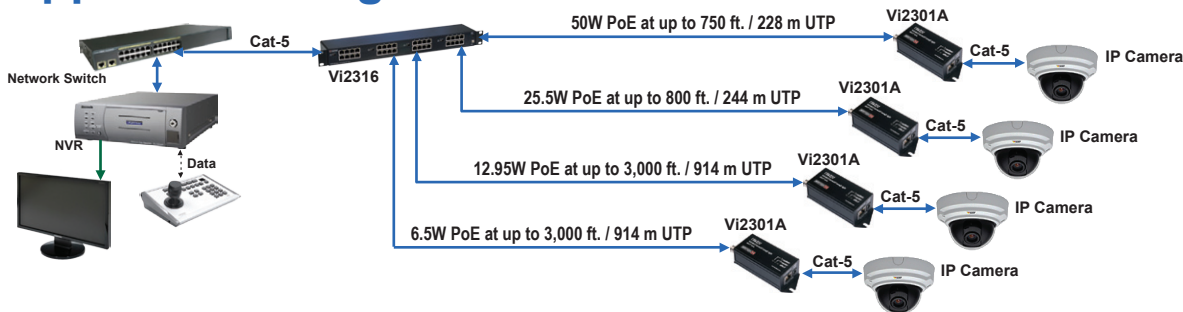
- Extending Ethernet distances beyond Ethernet 100m limit
- Retrofit analog CCTV installations into Digital systems
- Extending Networks in industrial environment
- CCTV System for Casinos, Airports, School Campuses

Vigtron's Maxiicopper™ Vi2300A Extender Series brings new performance standards to the growing need for high speed transmission of full bandwidth Ethernet and PoE over extended distances including high power PTZ domes with heaters and blowers. Its unique Symmetric Bandwidth (SBW™) assures full bandwidth transmission is maintained over the entire operational distance for both uploads and downloads with Virtual Zero Packet Loss (VZPL™). Bandwidth assurance provides the ability to transmit multiple cameras on single camera runs with no information loss. Combining a Vi2300A series extender with Vigtron's MaxiiCollector™ Vi2804A Extended Ethernet Switch up to 4 camera streams can be transmitted to a central location on a single cable. The Vi2308A and Vi2316A are a compact EIA 19" 1U high rack design for easy installation.

Extended Pass Through PoE (PTP™) up to 74W, compliant to UPoE, eliminates the need for additional cost for remote site power. Type tested under NEMA-TS2 environmental standards for -40°C to +75°C, these extenders are the perfect solution for remote signal and power transmission for warehouses, parking lots, campuses, casinos, and many more. Best of all, the Vi2300A series is MegaPixel Certified (MPC™), type tested to network packet performance standards, and major camera brand compatibility tested to assure you error free and reliable operations. The product series is available in single, four, eight and sixteen channel configurations to meet every system application requirement.

Installation cost savings, proven performance, and major camera brand compatibility all go into making the Vigtron's Maxiicopper™ Vi2300A series your best choice for extended distance Ethernet and power transmission.

Application Diagram



The Smart Choice for Transmission Solutions

www.vigtron.com

Technical Specification

Electrical

Ethernet Interface	Standard 10/100BaseT
Ethernet Rate	Auto select 10/100 Mb/s Full speed / full duplex at maximum rated distance
UTP ²	100 Ohm +/- 20%, Cat5 or better 10BaseT: up to 3,000 ft. (914 m) 100BaseT: up to 2,100 ft. (640 m)
Power Consumption*	12 VDC, Vi2304A @ 500 mA (max.), Vi2308A @ 1.2 A (max.) Vi2316A @ 2.5 A (max.)
Status LEDs	Power On Standard Ethernet: Traffic, Link Extended Ethernet: Traffic, 10/100BaseT
Connectors	Ethernet Interface: RJ-45 Connector Extended Interface: RJ-45 Connector Power: Pluggable Terminal Block
RFC	2544 TCP/IP Packet Transmission
PoE Compatibility	IEEE 802.3af, IEEE 802.3at, 74W PoE, UPoE Compliant to 74W
RFC	768 UDP, 2068 HTTP, 793 TCP 791 IP, 1783 TFTP, 894 IP over Ethernet
Jumbo Frame Support	Yes

Environmental

Humidity	0 to 95%, non-condensing
Temperature	Operating: -40°C to +75°C Storage: -40°C to +85°C

Mechanical

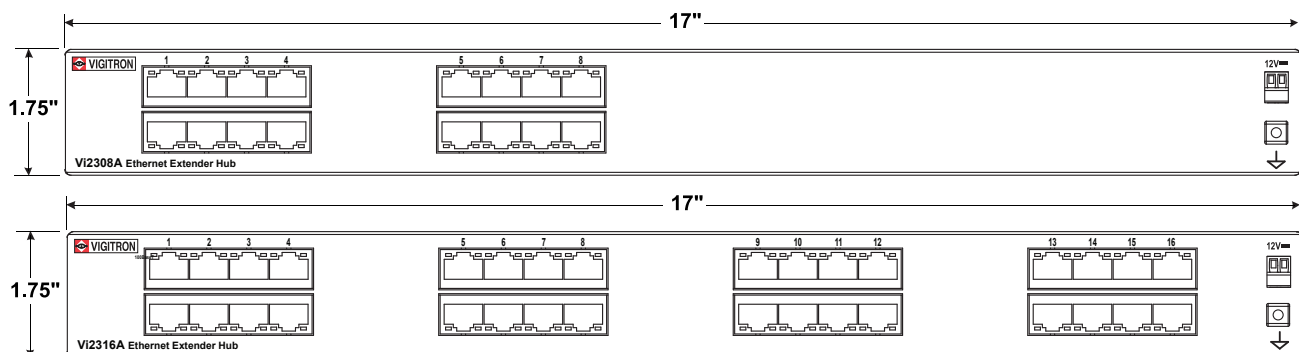
Dimensions	Vi2304A: 1.15x3.6x3.3 in., 4.2x9.2x8.4 cm (HxWxL) Vi2308A/Vi2316A: 1.75x3.25x17 in., 4.4x8.25x43 cm (HxWxL)
Weight	Vi2304A: 0.584 lb, 265 g Vi2308A: 1.8 lb (0.82 Kg), Vi2316A: 3.25 lb (1.5 Kg)
Material	Aluminum

Accessories

12 VDC wall-mount power supply (optional)

1. Specifications subject to change without notice.
2. Distance figures are obtained using in house testing mirroring installations. Factors such as cabling, connections, use of power and environmental conditions may affect actual distances and should be taken into consideration.
3. Specifications reflect operating using Pass Through PoE (PTP™) providing power for both transceivers and camera from a single source. Distances may increase if transceivers are locally powered.
4. System can be powered for 802.3af using PTP™ reference used is Class 2.

*External power supply required



Ordering Information

PART No.	Description
Vi2301A	Single port UTP Ethernet Extender
Vi2304A	4-port UTP Ethernet Extender
Vi2308A	8-port UTP Ethernet Extender, 19", 1U
Vi2316A	16-port UTP Ethernet Extender, 19", 1U
Vi0014	12VDC, 3A Wall-mount Power Supply

System Configuration



Data and PoE Distance^{2,4}

Data Rate	4-Pair ³ (data + poe class 2)	1-Pair (data only)
10BaseT	n/a	3,000 ft. (909 m)
100BaseT	2,100 ft. (636 m)	1,000 ft. (303 m)

